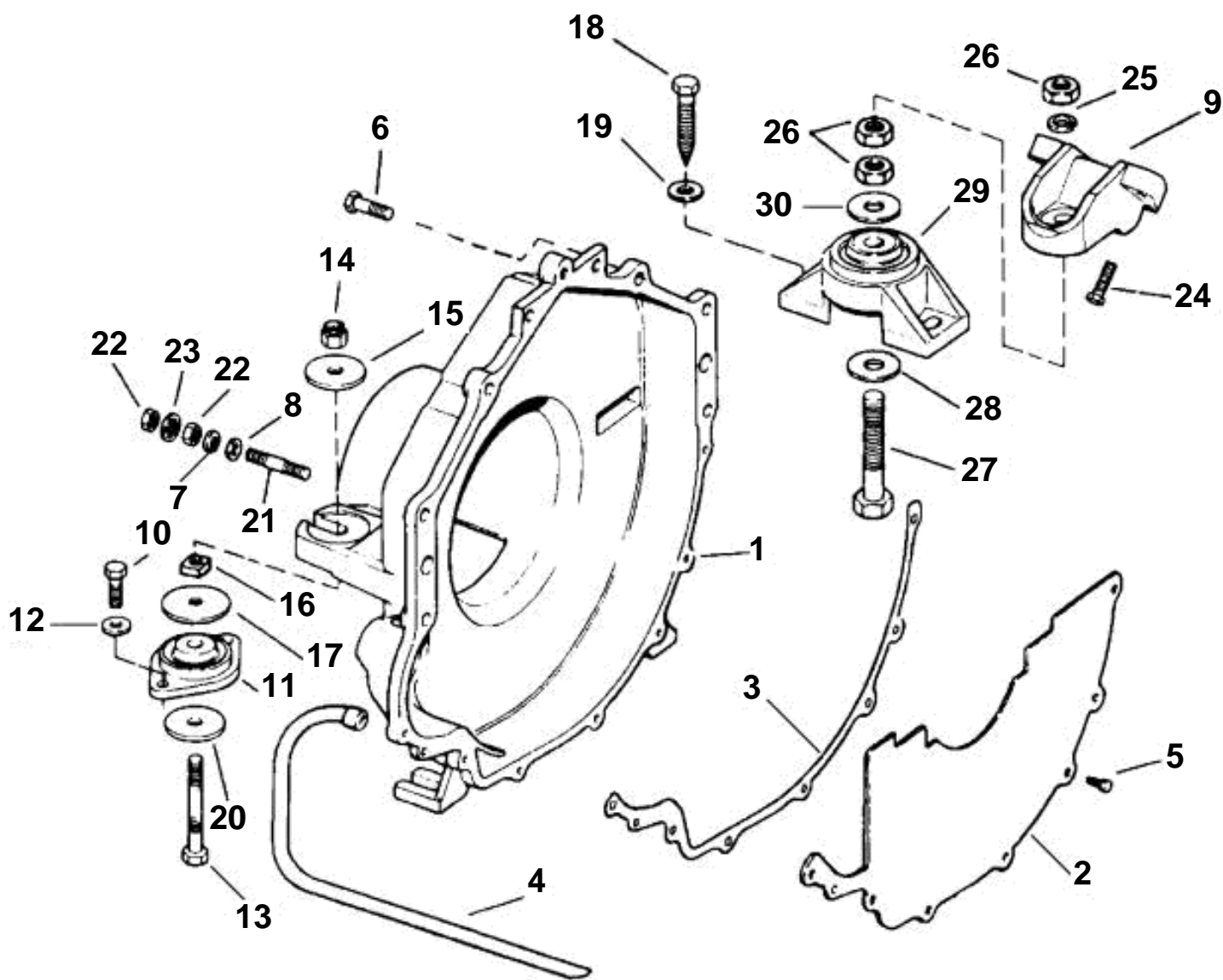


FLYWHEEL HOUSING AND MOUNTS



FLYWHEEL HOUSING AND MOUNTS

REF	PART NO.	QTY	DESCRIPTION	NOTES
1	3853457	1	Flywheel housing	PNCA, PNCM, JNCS, PNCACE, PNCMCE only
	3851017	1	Flywheel housing	PNCB, JNCC, PNCS, PNCBCE, PNCSCCE only
2	3854604	1	· Cover	
3	3852834	1	· Gasket, Flywheel cover	
4	3852832	1	· Hose, Flywheel hsg	
5	3852421	7	· Screw, Flywheel cover	
6	3853266	1	· Screw, Flywheel hsg to engine, port	
7	3852070	2	· Washer, Ground stud, flywheel hsg	
8	3852000	2	· Washer, Flywheel housing	
9	3852760	2	· Bracket, Front, port & starboard	
10	959968	4	· Screw, Rear mount to transom plate	
11	3853972	2	· Rubber cushion, Transom plate	
12	3852155	4	· Washer, Rear mount to transom plate	
13	3850930	2	· Screw, Rear mount	
14	3850929	2	· Nut, Rear mount	
15	3852540	2	· Washer, Rear mount to flywheel hsg	
16	3852539	2	· Nut, Rear mount	
17	3852622	2	· Washer, Rear mount	
18	3852475	4	· Screw, Engine to boat stringers	
19	3852078	4	· Washer, Engine to boat stringers	
20	3852542	2	Washer, Rear mount	
21	3852483	2	· Stud, Flywheel hsg to engine	Ground
22	3852065	2	· Nut, Terminal to ground stud, flywheel hsg	
23	3852002	1	· Lock washer, Ground stud, flywheel hsg	Starboard
24	3853326	6	· Screw, Front mount bracket to engine	
25	3852090	2	· Lock washer, Front mount	
26	3852090	2	· Lock washer, Front mount, engine	
27	3852021	6	Nut, Bolt, mount bracket	Front
28	3852428	2	· Washer, Front mount	Lower
29	3853805	2	· Rubber cushion, Engine front	Port & starboard
30	3852433	2	· Washer, Front mount	Upper